

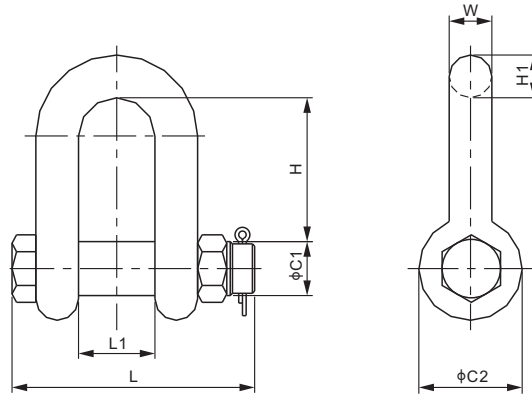
# TDX

## 卸扣，合金钢



### 特点:

- 额定载荷: 2t-110t
- 材料: 合金钢
- 安全载荷: 200%额定载荷
- 极限破坏载荷: 400%额定载荷
- 符合 ISO2415-2004标准



### 尺寸

货号	C1	C2	H	H1	L	L1	W	安全载荷	净重
<b>mm</b>									
TDX-2t	12	23	32	9.5	54	17	9.5	2t	0.13kg
TDX-2.5t	14	27	36.5	11	62	19	11	2.5t	0.21kg
TDX-3.25t	16	30	41.5	13	71.5	20.5	13	3.25t	0.28kg
TDX-5t	20	38	51	16	89	27	16	5t	0.60kg
TDX-7t	22	46	60.5	20.5	105	32	19	7t	1.04kg
TDX-9.5t	27	53	71.5	24.5	121	36.5	22.5	9.5t	1.63kg
TDX-12.5t	30	60.5	81	25.5	136.5	43	25.5	12.5t	2.38kg
TDX-15t	33	68.5	91	32	149.5	46	29	15t	3.59kg
TDX-18t	36	76	100	35	164.5	51.5	32	18t	4.65kg
TDX-21t	39	84	111	38	179	57	35	21t	6.71kg
TDX-30t	42	92	122	41	194.5	60.5	38	30t	8.05kg
TDX-40t	52	106.5	146	54	234	73	44.5	40t	13.18kg
TDX-50t	60	122	171.5	51	262.5	82.5	51	50t	19.3kg
TDX-80t	72	144.5	203	66.5	339	105	66.5	80t	37.22kg
TDX-110t	85	165	216	89	394	127	76	110t	65.3kg
<b>inches(由上述尺寸转换)</b>									
TDX-2t	0.47	0.91	1.26	0.37	2.13	0.67	0.37	4.41Klb	0.29lb
TDX-2.5t	0.55	1.06	1.44	0.43	2.44	0.75	0.43	5.51Klb	0.46lb
TDX-3.25t	0.63	1.18	1.63	0.51	2.81	0.81	0.51	7.17Klb	0.62lb
TDX-5t	0.79	1.50	2.01	0.69	3.50	1.06	0.63	11.02Klb	1.32lb
TDX-7t	0.87	1.81	2.38	0.81	4.13	1.26	0.75	15.43Klb	2.29lb
TDX-9.5t	1.06	2.09	2.81	0.96	4.76	1.44	0.89	20.94Klb	3.59lb
TDX-12.5t	1.18	2.38	3.19	1.00	5.37	1.69	1.00	27.56Klb	5.25lb
TDX-15t	1.30	2.70	3.58	1.26	5.89	1.81	1.14	33.07Klb	7.91lb
TDX-18t	1.42	2.99	3.94	1.38	6.48	2.03	1.26	39.68Klb	10.25lb
TDX-21t	1.54	3.31	4.37	1.50	7.05	2.24	1.38	46.30Klb	14.79lb
TDX-30t	1.65	3.62	4.80	1.61	7.66	2.38	1.50	66.14Klb	17.75lb
TDX-40t	2.05	4.19	5.75	2.13	9.21	2.87	1.75	88.18Klb	29.06lb
TDX-50t	2.36	4.80	6.75	2.01	10.33	3.25	2.01	110.23Klb	42.55lb
TDX-80t	2.83	5.69	7.99	2.62	13.35	4.13	2.62	176.37Klb	82.06lb
TDX-110t	3.35	6.50	8.50	3.50	15.51	5.0	2.99	242.51Klb	143.96lb